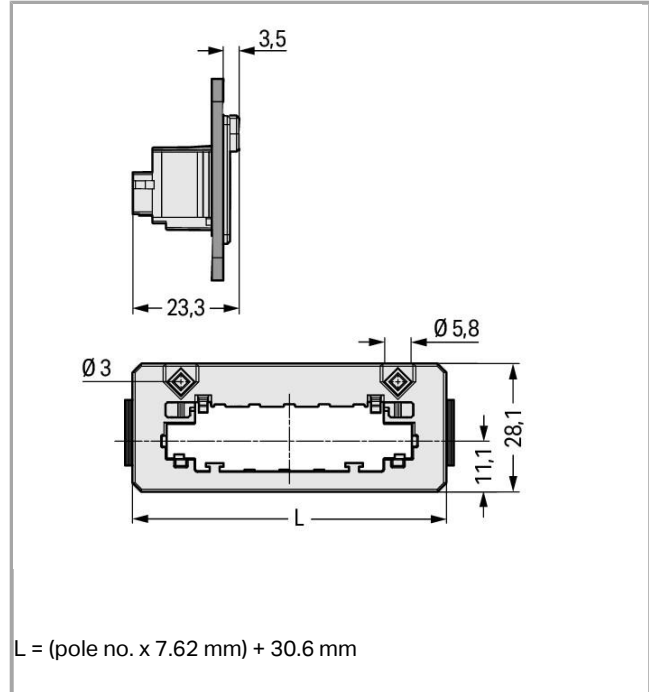
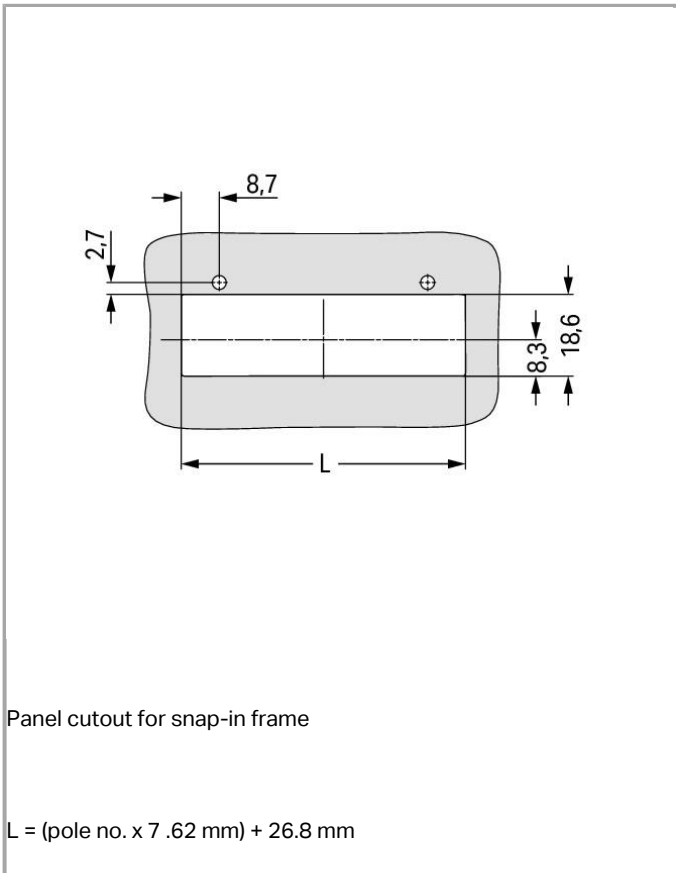


Data sheet | Item number: 831-303

Snap-in frame; 1 part; Pin spacing 7.62 mm; 3-pole

831-303





Item description

- Snap-in frames for through-panel MCS MAXI connectors
- Fast and easy installation – without tools
- Compatible with MCS MAXI male and female connectors
- For panel thickness ranging from 0.5 to 2.5 mm
- Optional screw mounting

Data

Connection data

Number of connection types	1
----------------------------	---

Geometrical Data

Width	53.46 mm / 2.105 inch
Height	28.1 mm / 1.106 inch
Depth	23.3 mm / 0.917 inch

**Mechanical data**

Mounting type	Snap-in
Type of mounting	Feed-through mounting

Material Data

Color	light gray
Fire load	0 MJ
Weight	6.1 g

Commercial data

Country of origin	DE
GTIN	4055143564854
Customs Tariff No.	39269097900

Downloads**Documentation****Additional Information**

pdf
3.6 MB [Download](#)

CAD/CAE - Smart Data**CAD data**

3D Download 831-303 [URL](#) [Download](#)

Subject to changes.